

390™ Airless Sprayer

311761P
EN

Models: 253958, 254998, 262019, 254968, 254969, 253961, 262024, 256391, 256392, 256481, 826084



Important Safety Instructions

Read all warnings and instructions in the Operation and Repair manuals for your sprayer. Save all instructions.

Related Manuals



310820

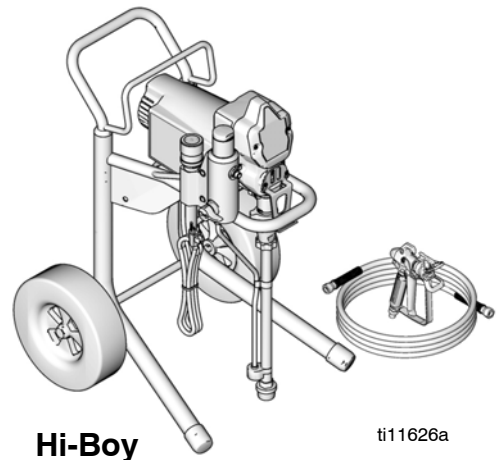


311737

309250

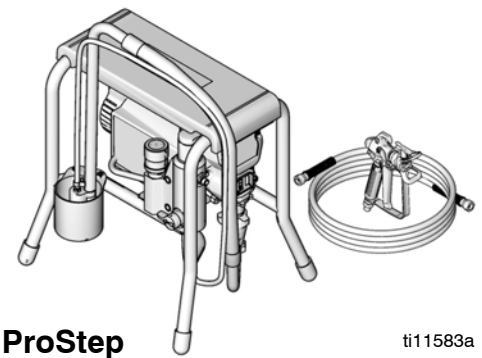


311861



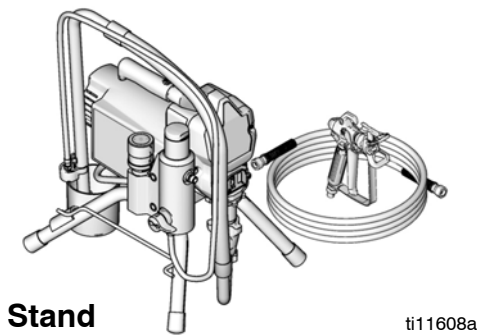
Hi-Boy

ti11626a



ProStep

ti11583a



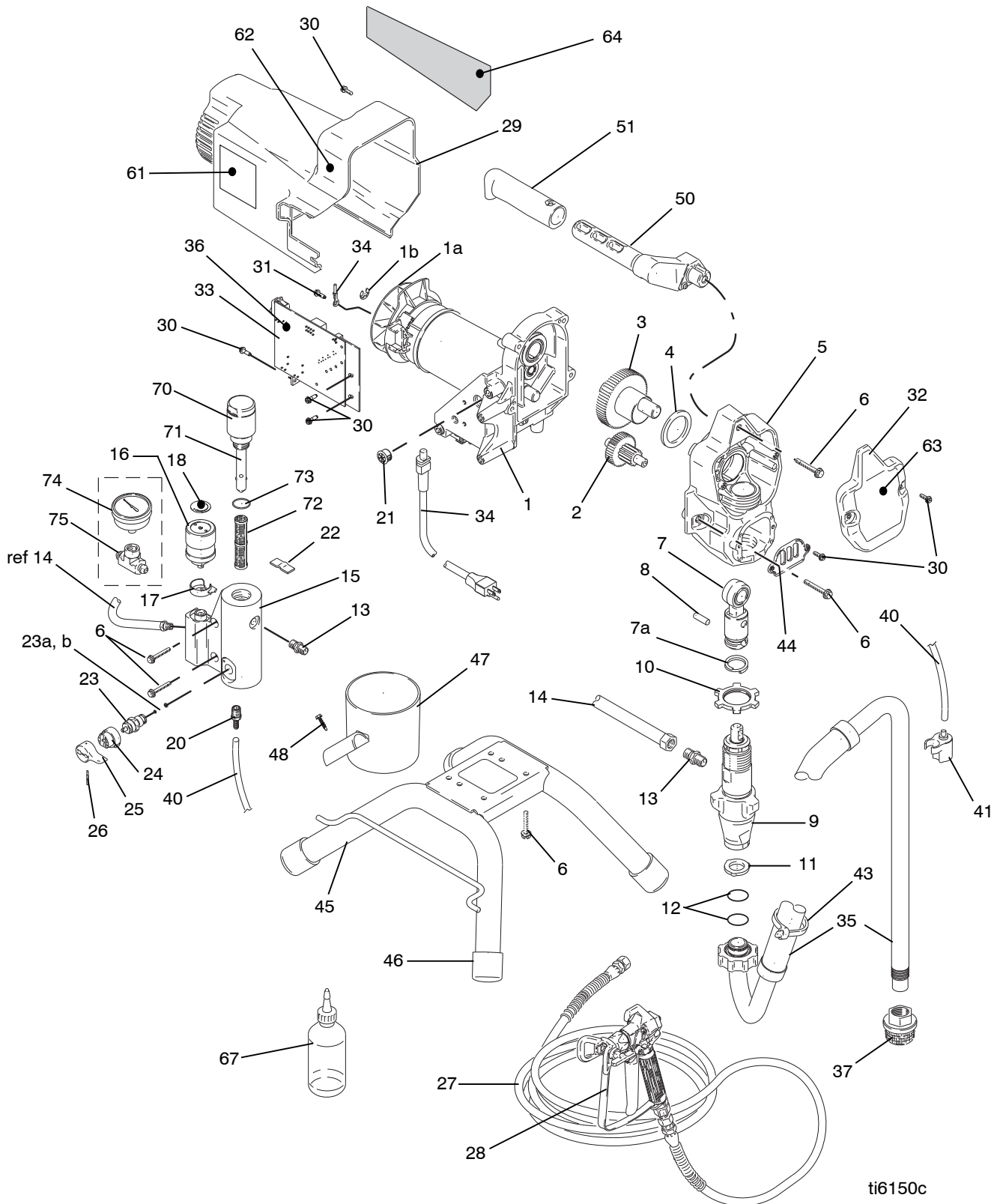
Stand

ti11608a



Parts Drawing

Models 253958, 254998



Parts List

Models 253958, 254998

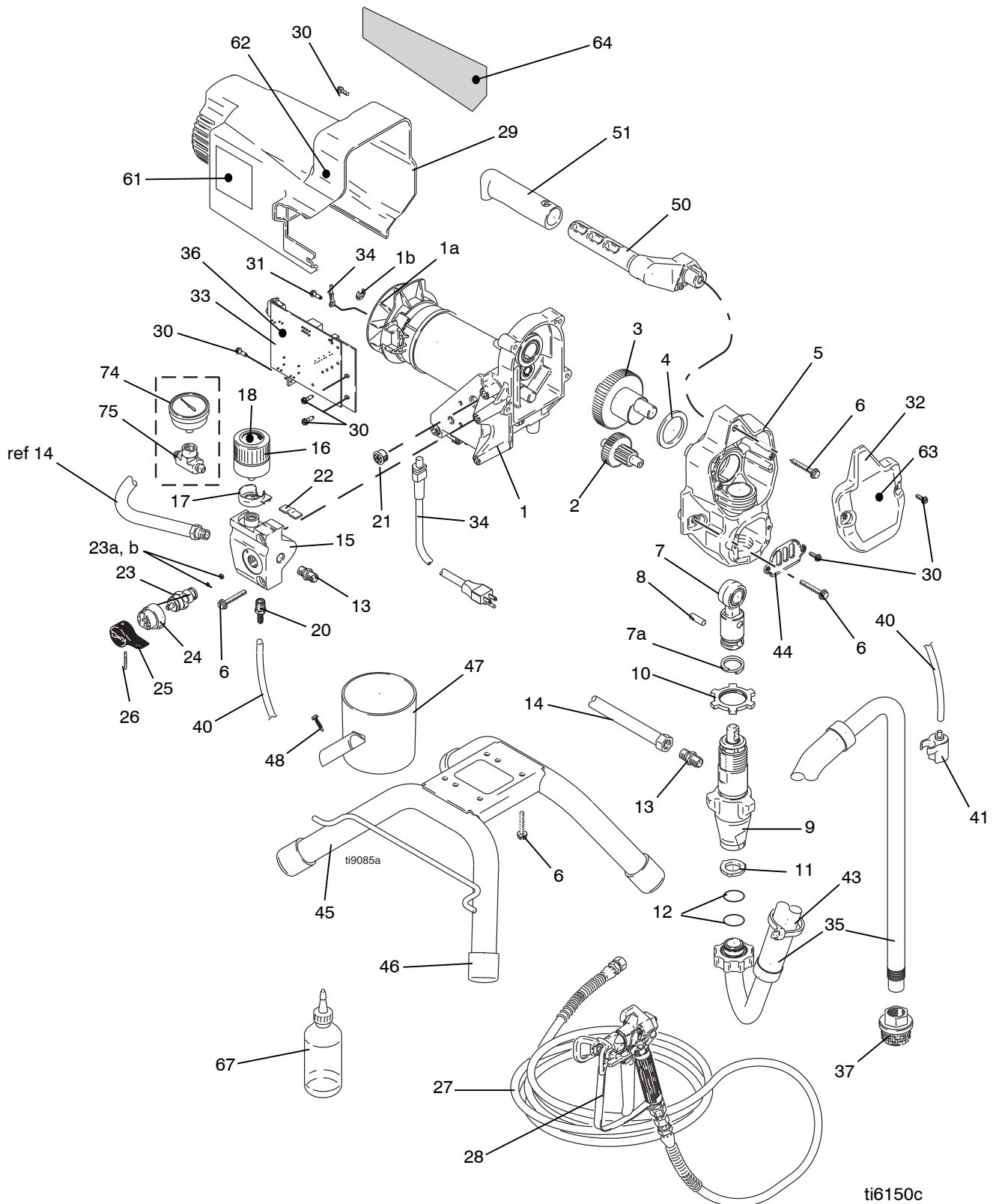
Ref	Part	Description	Qty	Ref	Part	Description	Qty
				34		CORD	
1		MOTOR, electric, includes 1a, 1b			15J743	Models 253958, power, lighted	1
	249040	Models 253958 120V	1		253373	Model 254998, ST, IEC, jumper	1
	249041	Model 254998, 240V	1	35	246386	HOSE, suction set, includes 11, 12, 37	1
1a	249043	FAN, motor, includes 1b	1	36	189930	LABEL, caution	1
1b	119653	RING, retaining	1	37	246385	STRAINER, 7/8-14 unf	1
2	249194	GEAR, reducer	1	40	249051	KIT, tube, drain, includes 20, 41, 43	1
3	249195	GEAR, crankshaft, includes 4	1	41	244035	DEFLECTOR, barbed	1
4	180131	BEARING, thrust	1	43	114958	STRAP, tie	1
5	249049	HOUSING, drive, includes 6, 30, 44	1	44	15B589	COVER, pump rod	1
6	117493	SCREW, mach, hex washer hd	11	45	15E823	FRAME, stand mount	1
7	287053	ROD, connecting, includes 7a, 8	1	46	112759	CAP, tubing	4
7a	196750	SPRING, retaining	1	47	15G838	CUP, suction/drain	1
8	196762	PIN, straight	1	48	115723	SCREW, drill, hex washer head	1
9	246428	PUMP, displacement, includes 13 (Manual 309250)	1	50	276864	HANDLE, includes 6, 51	1
				51	116139	GRIP, handle	1
10	195150	NUT, jam, pump	1	61▲	15K359	LABEL, warning	1
11	115099	WASHER	1	62▲	195793	LABEL, warning	1
12	117559	O-RING	2	63		LABEL, front	
13	162453	FITTING, (1/4 npsm x 1/4 npt)	2		15E826	Models 253958, 254998	1
14	287003	HOSE, cpld	1	64		LABEL, side	
15	15H977	MANIFOLD, filter	1		15E827	Models 253958, 254998	1
16		CONTROL, pressure, includes 17, 21, 22		66▲	222385	TAG, warning	1
	249005	Models 253958 120V	1	67	238049	FLUID, TSL, 4 oz	1
	248929	Model 254998, 240V	1	88		CORD SET	
17	15E794	CAP, wire, control, pressure	1		287121	Model 254969	1
18	15F399	LABEL, control	1			Italy, Denmark, Switzerland	
20	M70809	FITTING	1		242004	Europe, adapter	1
21	115756	BUSHING	1		242005	Australia, adapter	1
22	119723	TAPE, foam	1	70	287902	KIT, repair, filter cap, includes 71	1
23	224806	VALVE, drain, includes 23a, 23b	1	71		INSERT, filter	1
23a	277364	GASKET, seat	1	72†	246384	FILTER, fluid, 60 mesh	1
23b	15E022	SEAT, valve	1	73	117828	O-RING	1
24	224807	BASE, valve	1	74	115523	GAUGE, pressure, fluid; Model 254998	1
25	187625	HANDLE, valve, drain	1	75	119783	FITTING, swivel; Model 254998	1
26	111600	PIN, grooved	1	77	243308	LABEL SET, international	1
27	240794	HOSE, cpld, 1/4 x 50 ft	1		‡119277	FUSE, replacement	
28		GUN, Manual 311861			249042	KIT, brush, motor, replacement	
	288430	Model 253958, FTx, Contractor	1				
	288427	Model 254998, FTx-A, Contractor	1				
29	249044	KIT, shield, motor, includes 30, 61, 62, 64	1				
30	117501	SCREW, machine, hex washer head	9				
31	115498	SCREW, mch, slot, hex, wash hd	1				
32	15B254	COVER, front, includes 30, 63	1				
33‡		CONTROL BOARD	1				
	249052	Models 253958, 826084 120V					
	257786	Model 254998, 240V					

▲ Replacement Danger and Warning labels, tags, and cards are available at no cost.

† Other filters available: 246382, 100 mesh; 246383, 200 mesh; 246425, 30 mesh

Parts Drawing

Models 254968, 254969, 253961



Parts List

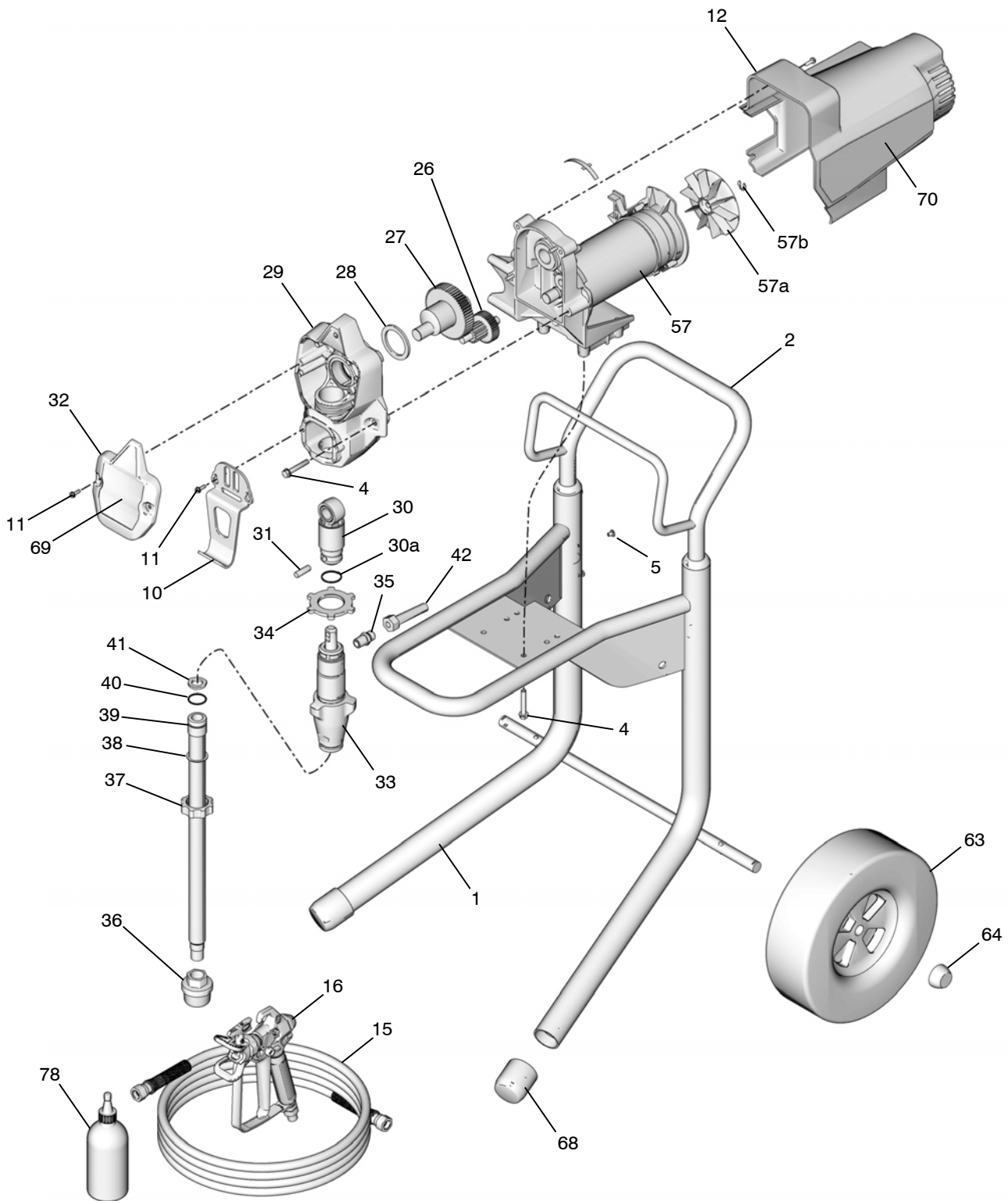
Models 254968, 254969, 253961

Ref	Part	Description	Qty	Ref	Part	Description	Qty
1		MOTOR, electric, includes 1a, 1b			249052	Model 253961, 120V	1
	249040	Model 253961, 120V	1		249053	Models 254968, 254969, 240V	1
	249041	Models 254968, 254969, 240V	1	34		CORD	
1a	249043	FAN, motor, includes 1b	1		253370	Models 254968, 254969, ST, IEC, Jumper	1
1b	119653	RING, retaining	1		253368	Model 253961, UK	1
2	249194	GEAR, reducer	1	35	246386	HOSE, suction set, includes 11, 12, 37	1
3	249195	GEAR, crankshaft, includes 4	1	36	189930	LABEL, caution	1
4	180131	BEARING, thrust	1	37	246385	STRAINER, 7/8-14 unf	1
5	249049	HOUSING, drive, includes 6, 30, 44	1	40	249051	KIT, tube, drain, includes 20, 41, 43	1
6	117493	SCREW, mach, hex washer hd	11	41	244035	DEFLECTOR, barbed	1
7	287053	ROD, connecting, includes 7a, 8	1	43	114958	STRAP, tie	1
7a	196750	SPRING, retaining	1	44	15B589	COVER, pump rod	1
8	196762	PIN, straight	1	45	15E823	FRAME, standmount	1
9	246428	PUMP, displacement, includes 13	1	46	112759	CAP, tubing	4
		Manual 309250		47	15G838	CUP, suction/drain	1
10	195150	NUT, jam, pump	1	48	115723	SCREW, drill, hex washer head	1
11	115099	WASHER	1	50★	276864	HANDLE	1
12	117559	O-RING	2	51★	116139	GRIP, handle	1
13	162453	FITTING, (1/4 npsm x 1/4 npt)	2	61▲	15K359	LABEL, warning	1
14	287003	HOSE, cpld	1	62▲	195793	LABEL, warning	1
15	15E295	MANIFOLD, control, pressure	1	63	15E826	LABEL, front	1
16		CONTROL, pressure, includes 17, 21, 22		64	15E827	LABEL, side	1
	249005	Model 253961, 120V	1	66▲	222385	TAG, warning	1
	248929	Models 254968, 254969, 240V	1	67	238049	FLUID, TSL, 4 oz	1
17	15E794	CAP, wire, control, pressure	1	68		CORD SET	
18	15F399	LABEL, control	1		287121	Model 254969	1
20	M70809	FITTING	1			Italy, Denmark, Switzerland	
21	115756	BUSHING	1		242004	Europe, adapter	1
22	119723	TAPE, foam	1		242005	Australia, adapter	1
23	224806	VALVE, drain, includes 23a, 23b	1	74	115523	GAUGE, pressure, fluid (models 254968, 254969)	1
23a	277364	GASKET, seat	1				
23b	15E022	SEAT, valve	1	75	119783	FITTING, swivel (models 254968, 254969)	1
24	224807	BASE, valve	1				
25	187625	HANDLE, valve, drain	1	77	243308	LABEL SET, international	1
26	111600	PIN, grooved	1				
27	240794	HOSE, cpld, 1/4x 50 ft	1		‡119277	FUSE, replacement	
28	288438	GUN, FTx-E, Contractor	1		★287072	KIT, handle repair, includes 6, 50, 51	
		Manual 311861			249042	KIT, brush, motor, replacement	
29	249044	KIT, shield, motor, includes 30, 61, 62, 64	1				
30	117501	SCREW, machine, hex washer head	9				
31	115498	SCREW, mch, slot, hex, wash hd	1				
32	15B254	COVER, front, includes 30, 63	1				
33‡		CONTROL BOARD					

▲ Replacement Danger and Warning labels, tags, and cards are available at no cost.

Parts Drawing

Models 262019, 262024



ti11627b

Parts List

Models 262019, 262024

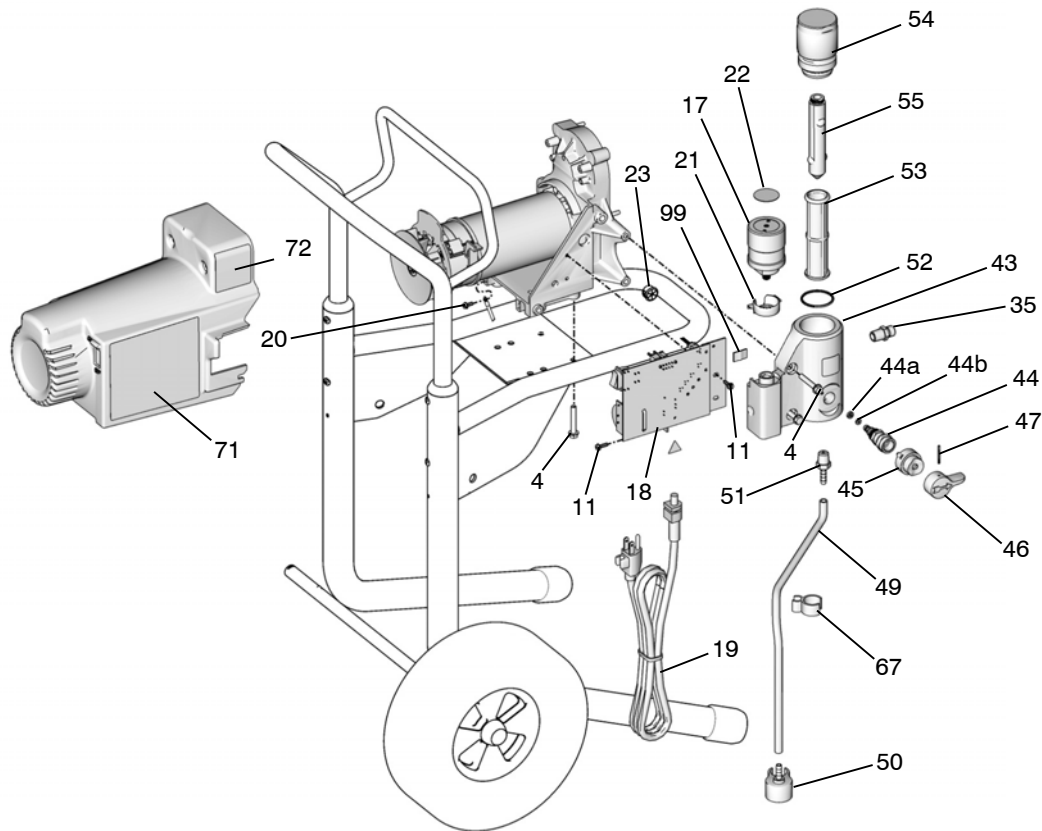
Ref.	Part	Description	Qty	Ref.	Part	Description	Qty
1	288216	FRAME, cart, hi	1	36	235004	STRAINER, 3/4-16 unf	1
2	287489	HANDLE, cart	1	37	15E813	NUT, jam	1
4	117493	SCREW, mach, hex washer hd	11	38	15B652	WASHER, suction	1
5	109032	SCREW, mach, pnh	4	39	15J801	TUBE, suction, intake	1
10	15J812	HANGER, pail	1	40	103413	O-RING	1
11	117501	SCREW, mach, slot hex wash hd	9	41	115099	WASHER	1
12	24A048	KIT, shield, motor (includes 11, 71, and 72)	1	42	15J744	HOSE, cpld	1
15	240794	HOSE, cpld, 1/4 in. x 50 ft	1	57†		MOTOR, electric	
16		GUN, Manual 311861	1		249040	Model 262019, 120V	1
	288430	Model 262019, FTX, contractor			249041	Model 262024, 240V	
	288427	Model 262024, FTX-A, contractor		57a	249043	FAN, motor	1
26	249194	GEAR, assembly, combination	1	57b	119653	RING, retaining	1
27	249195	GEAR, crankshaft; includes 28	1	63	119451	WHEEL, semi pneumatic	2
28	180131	BEARING, thrust	1	64	119452	CAP, hub	2
29	24A049	HOUSING, drive; includes 4, 10, 11	1	68	15C871	CAP, leg	2
30	287053	ROD, connecting; includes 30a, 31	1	69	15K373	LABEL, front, brand	1
30a	196750	SPRING, retaining	1	70	15K375	LABEL, side, brand	1
31	196762	PIN, straight	1	78	206994	FLUID, TSL, 8 oz (not shown)	1
32	15B254	COVER, front (includes 69, 11)	1				
33	246428	PUMP, displacement (includes 35) Manual 309250	1				
34	195150	NUT, jam, pump	1				
35	162453	FITTING, (1/4 npsm x 1/4 npt)	2				

▲ Replacement Danger and Warning labels, tags, and cards are available at no cost.

† 249042 KIT, brush, motor

Parts Drawing

Models 262019, 262024



Parts List

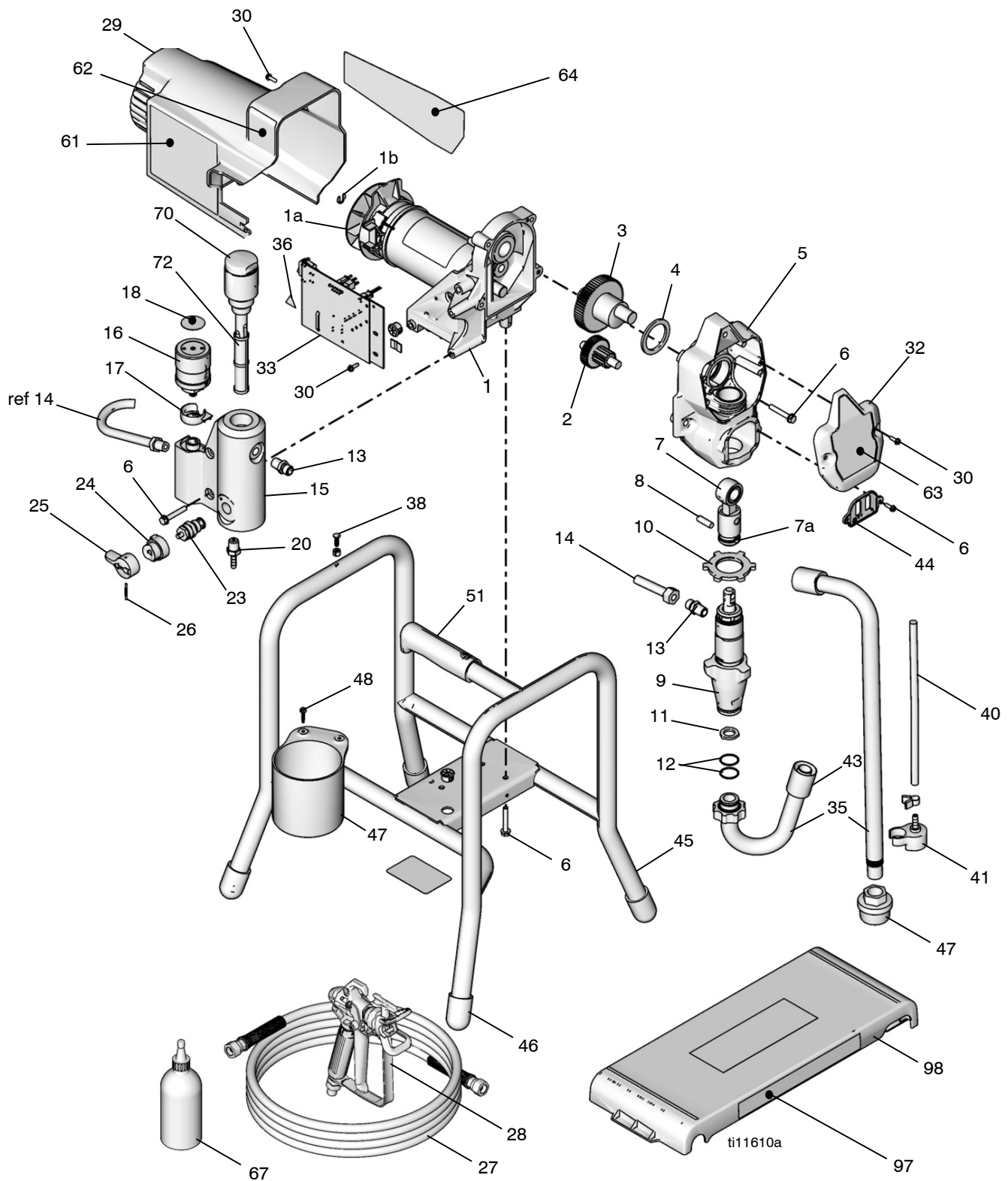
Ref	Part	Description	Qty	Ref	Part	Description	Qty
4	117493	SCREW, mach, hex washer hd	10	50	244035	DEFLECTOR, barbed	1
11	117501	SCREW, mach, slot hex wash hd	7	51	M70809	FITTING, barbed, hose	1
17		CONTROL, PRESSURE, includes 21, 23, 99	1	52	117828	O-RING	1
	249005	Model 262019, 120V		53	246384	FILTER, fluid	1
	248929	Model 262024, 240V		54	287902	CAP FILTER, (includes 54, 55)	1
18‡		CONTROL, board	1	55		INSERT FILTER	1
	249052	Model 262019, 120V		67	195400	CLIP, spring	1
	257786	Model 262024, 240V		71▲	15K359	LABEL, warning	1
19	15J743	CORD, power, lighted, cart unit	1	72▲	195793	LABEL, warning	1
20	115498	SCREW, mach, slot hex wash hd	1	99	119723	TAPE, foam	1
21	15E794	CAP, wire, control, pressure	1				
22	15F399	LABEL, pressure control knob	1				
23	115756	BUSHING, universal	1				
43	15T874	MANIFOLD, Filter	1				
44	224806	VALVE, drain; includes 44a, 44b	1				
44a	277364	GASKET, seat	1				
44b	15E022	SEAT, valve	1				
45	224807	BASE, valve	1				
46	187625	HANDLE, valve, drain	1				
47	111600	PIN, grooved	1				
49	15K092	TUBE, drain	1				

▲ Replacement Danger and Warning labels, tags, and cards are available at no cost.

‡ 119277 Fuse replacement for 120V motors

Parts Drawing

Models 256391, 256392, 256481



Parts List

Models 256391, 256392, 256481

Ref	Part	Description	Qty	Ref	Part	Description	Qty
1❖		MOTOR, electric	1	15B471		CORD (256391, 256392)	
	249040	Model 256481, 120V		35	246386	HOSE, suction set, includes 11, 12, 37	1
	249041	Models 256391, 256392, 240V		36▲	189930	LABEL, caution	1
1a	249043	FAN, motor, includes 1b	1	37	246385	STRAINER, 7/8-14 unf	1
1b	119653	RING, retaining	1	38	113038	RIVET, cherry N	1
2	249194	GEAR, reducer	1	40	249051	KIT, tube, drain, includes 20, 41, 43	1
3	249195	GEAR, crankshaft, includes 4	1	41	244035	DEFLECTOR, barbed	1
4	180131	BEARING, thrust	1	43	114958	STRAP, tie	1
5	249049	HOUSING, drive, includes 6, 30, 44	1	44	15B589	COVER, pump rod	1
6	117493	SCREW, mach, hex washer hd	11	45		FRAME, stand mount	
7	287053	ROD, connecting, includes 7a, 8	1		15E823	Model 826084	1
7a	196750	SPRING, retaining	1		24A070	Model 826098, includes 51, 46	1
8	196762	PIN, straight	1	46		CAP, tubing	
9	246428	PUMP, displacement, includes 13 (Manual 309250)	1		112759	Model 826084	4
					15G857	Model 826098	4
10	195150	NUT, jam, pump	1	47		CUP, suction/drain	
11	115099	WASHER	1		15G838	Model 826084	1
12	117559	O-RING	2		15B870	Model 826098	1
13	162453	FITTING, (1/4 npsm x 1/4 npt)	2	48	115723	SCREW, drill, hex washer head	1
14	287003	HOSE, cpld	1	50	287072	HANDLE, includes 6, 51	
15	15H977	MANIFOLD, filter	1	51	116139	GRIP, handle	1
16		CONTROL, pressure, includes 17, 21, 22	1	61▲	15K359	LABEL, warning	1
	249005	Model 256481, 120V		62▲	195793	LABEL, warning	1
	248929	Models 256391, 256392, 220V		63		LABEL, front	
17	15E794	CAP, wire, control, pressure	1		15U220	Models 256391, 256481	1
18	15A464	LABEL, control	1		15U446	Model 256392	1
20	M70809	FITTING	1	64		LABEL, side	
21	115756	BUSHING	1		15U221	Models 256391, 256481	1
22	119723	TAPE, foam	1		15U447	Model 256392	1
23	235014	VALVE, drain, includes 23a, 23b	1	66▲	222385	TAG, warning	1
23a	277364	GASKET, seat	1	67	238049	FLUID, TSL, 4 oz	1
23b	15E022	SEAT, valve	1	70	287902	KIT, repair, filter cap, includes 71	1
24	224807	BASE, valve	1	71		INSERT, filter	1
25	187625	HANDLE, valve, drain	1	72†	246384	FILTER, fluid, 60 mesh	1
26	111600	PIN, grooved	1	73	117828	O-RING	1
27	240794	HOSE, cpld, 1/4 x 50 ft	1	95	15U222	Label, top	1
28		GUN	1	97▲	15T843	LABEL, warning	1
	288430	Model 256391, 256481, FTX contractor		98	24A096	PLATFORM	1
	288427	Model 256392, FTX-A contractor					
29	249044	KIT, shield, motor, includes 30, 61, 62, 64	1		‡119277	FUSE, replacement for 120V motors	
30	117501	SCREW, machine, hex washer head	9		❖249042	KIT, brush, motor, replacement	
31	115498	SCREW, mch, slot, hex, wash hd	1				
32	15B254	COVER, front, includes 30, 63	1				
33‡		CONTROL BOARD	1				
	249052	Model 256481, 120V					
	249053	Models 256391, 240V					
	257786	Models 256392, 240V					
34	15B469	CORD(256489)	1				

▲ Replacement Danger and Warning labels, tags, and cards are available at no cost.

† Other filters available: 246382, 100 mesh; 246383, 200 mesh; 246425, 30 mesh.

Graco Standard Warranty

Graco warrants all equipment referenced in this document which is manufactured by Graco and bearing its name to be free from defects in material and workmanship on the date of sale to the original purchaser for use. With the exception of any special, extended, or limited warranty published by Graco, Graco will, for a period of twelve months from the date of sale, repair or replace any part of the equipment determined by Graco to be defective. This warranty applies only when the equipment is installed, operated and maintained in accordance with Graco's written recommendations.

This warranty does not cover, and Graco shall not be liable for general wear and tear, or any malfunction, damage or wear caused by faulty installation, misapplication, abrasion, corrosion, inadequate or improper maintenance, negligence, accident, tampering, or substitution of non-Graco component parts. Nor shall Graco be liable for malfunction, damage or wear caused by the incompatibility of Graco equipment with structures, accessories, equipment or materials not supplied by Graco, or the improper design, manufacture, installation, operation or maintenance of structures, accessories, equipment or materials not supplied by Graco.

This warranty is conditioned upon the prepaid return of the equipment claimed to be defective to an authorized Graco distributor for verification of the claimed defect. If the claimed defect is verified, Graco will repair or replace free of charge any defective parts. The equipment will be returned to the original purchaser transportation prepaid. If inspection of the equipment does not disclose any defect in material or workmanship, repairs will be made at a reasonable charge, which charges may include the costs of parts, labor, and transportation.

THIS WARRANTY IS EXCLUSIVE, AND IS IN LIEU OF ANY OTHER WARRANTIES, EXPRESS OR IMPLIED, INCLUDING BUT NOT LIMITED TO WARRANTY OF MERCHANTABILITY OR WARRANTY OF FITNESS FOR A PARTICULAR PURPOSE.

Graco's sole obligation and buyer's sole remedy for any breach of warranty shall be as set forth above. The buyer agrees that no other remedy (including, but not limited to, incidental or consequential damages for lost profits, lost sales, injury to person or property, or any other incidental or consequential loss) shall be available. Any action for breach of warranty must be brought within two (2) years of the date of sale.

GRACO MAKES NO WARRANTY, AND DISCLAIMS ALL IMPLIED WARRANTIES OF MERCHANTABILITY AND FITNESS FOR A PARTICULAR PURPOSE, IN CONNECTION WITH ACCESSORIES, EQUIPMENT, MATERIALS OR COMPONENTS SOLD BUT NOT MANUFACTURED BY GRACO. These items sold, but not manufactured by Graco (such as electric motors, switches, hose, etc.), are subject to the warranty, if any, of their manufacturer. Graco will provide purchaser with reasonable assistance in making any claim for breach of these warranties.

In no event will Graco be liable for indirect, incidental, special or consequential damages resulting from Graco supplying equipment hereunder, or the furnishing, performance, or use of any products or other goods sold hereto, whether due to a breach of contract, breach of warranty, the negligence of Graco, or otherwise.

FOR GRACO CANADA CUSTOMERS

The Parties acknowledge that they have required that the present document, as well as all documents, notices and legal proceedings entered into, given or instituted pursuant hereto or relating directly or indirectly hereto, be drawn up in English. Les parties reconnaissent avoir convenu que la rédaction du présente document sera en Anglais, ainsi que tous documents, avis et procédures judiciaires exécutés, donnés ou intentés, à la suite de ou en rapport, directement ou indirectement, avec les procédures concernées.

ADDITIONAL WARRANTY COVERAGE

Graco does provide extended warranty and wear warranty for products described in the "Graco Contractor Equipment Warranty Program".

Graco Information

For the latest information about Graco products, visit www.graco.com.

TO PLACE AN ORDER, contact your Graco distributor or call 1-800-690-2894 to identify the nearest distributor.

*All written and visual data contained in this document reflects the latest product information available at the time of publication.
Graco reserves the right to make changes at any time without notice.*

For patent information, see www.graco.com/patents.
Original Instructions. This manual contains English. MM 311761

Graco Headquarters: Minneapolis
International Offices: Belgium, China, Japan, Korea

GRACO INC. AND SUBSIDIARIES • P.O. BOX 1441 • MINNEAPOLIS MN 55440-1441 • USA

Copyright 2006, Graco Inc. All Graco manufacturing locations are registered to ISO 9001.

www.graco.com
Revised P, May 2018