

# Parts/ Peças / Pièces / Piezas - 246428, 17C718, 17C719, 17C720, 17C722

Ref.	Part	Description	Qty.
201	249125	ROD, displacement, includes 212	1
202	180656	BUTTON, plug	1
203	193047	NUT, packing	1
204*	176757	GLAND, female, throat	1
205*	176754	GLAND, male, throat	1
206	17D481	CYLINDER, pump (includes 219)	1
207	105444*	BALL, sst, 0.3125 in.	1
	17P091	BALL, Ceramic, 0.3125 in.	1
208*	195129	GLAND, male, piston	1
209*	180073	GLAND, female, piston	1
211*	15G234	GUIDE, piston	1
212	239937	VALVE, piston (included with 201)	1
213	15C011	GUIDE, ball	1
215†	246429	KIT, seat, carbide includes 213, 217 and 218	1
216	15B611	VALVE, intake housing	1
217*†	15B112	PACKING, o-ring (0.941 in. OD)	1
218	105445*†	BALL, sst, 0.5000 in.	1
	119260	BALL, Ceramic, 0.5000 in.	1
219*	17V093	PACKING, o-ring, pink dot	1
220*	117459	O-RING, green dot	1
221*	176755	V-PACKING, leather, throat	2
222*	192710	V-PACKING, throat, V-Max™ UHMWPE, blue	3
223*	176749	V-PACKING, leather, piston	2
224*	192712	V-PACKING, piston V-Max™ UHMWPE, blue	3
225	162453	NIPPLE, 1/4 npsm x 1/4 npt	1
226	119789	FITTING, elbow, street, 45°, 1/4 npt	1
*		included in Kit 244194	
†		Included in Kit 246429	
*		Incluído no Kit 244194	
†		Incluído no Kit 246429	
*		Inclus dans la trousse 244194	
†		Inclus dans la trousse 246429	
*		Incluida en Kit 244194	
†		Incluida en Kit 246429	

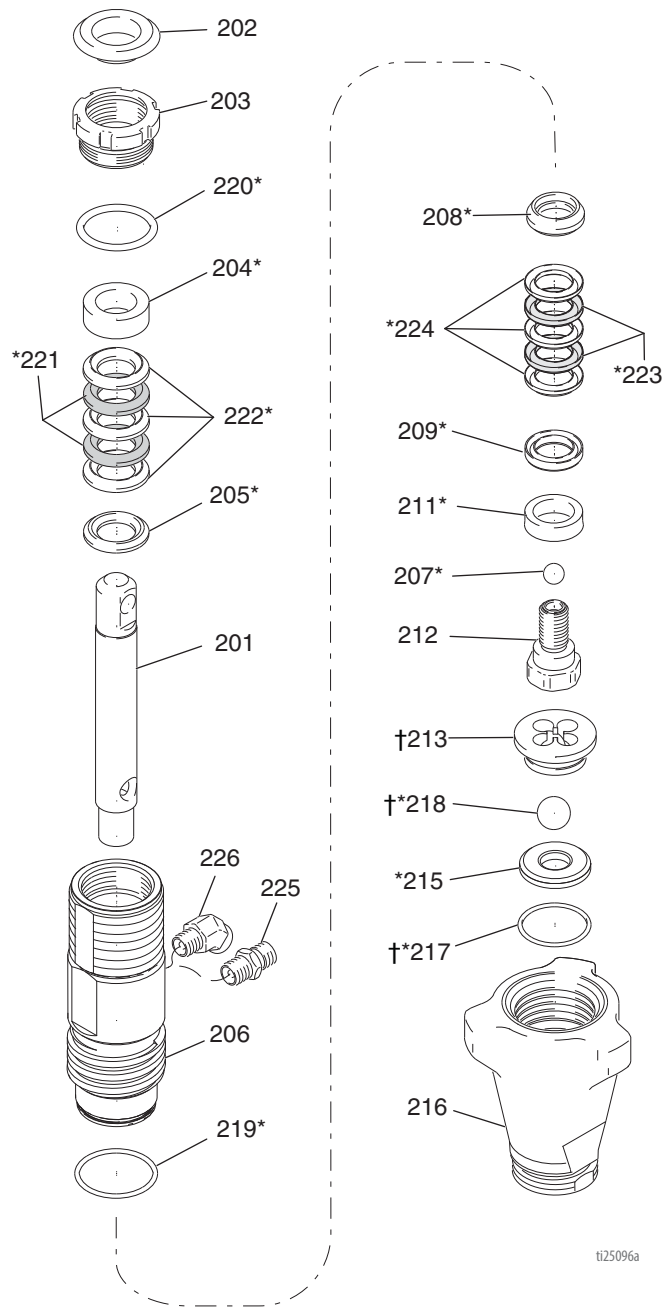
## Technical Data / Dados Técnicos / Fiche technique / Datos técnicos

Maximum working pressure / Pressão máxima de trabalho de  
 Pression maximale de service / Presión máxima de operación  
 3300 psi (228 bar, 23 MPa)  
 3 300 lb/po<sup>2</sup> (228 bar, 23 MPa)

Fluid inlet size / Dimensões da entrada de líquido  
 Dia. de l'orifice d'entrée / Tamaño de la entrada de fluido  
 1-1/4-12 unf(m)

Fluid outlet size / Dimensões da saída de líquido  
 Dia. de l'orifice de sortie / Tamaño de la salida de fluido  
 1/4 npt(f)

Wetted parts . . . . . stainless steel, PTFE, leather,  
 nylon, zinc-plated carbon steel, tungsten carbide,  
 chrome plating, UHMWPE, Acetal, polyethylene, nylon  
 Peças lubrificadas . . . . . aço inoxidável, PTFE, couro,  
 nylon, aço carbono zincado, carboneto de  
 tungstênio, cromagem, UHMWPE, Acetal, polietileno  
 Pièces en contact avec du liquide . . . . . acier inoxydable et en  
 PTFE, cuir, nylon, acier carbone zingué,  
 carbure de tungstène, plaquage au chrome,  
 UHMWPE, Acetal, polyéthylène  
 Piezas húmedas . . . . . acero inoxidable, PTFE,  
 cuero, nilón, acero al carbono enchapado en cinc,  
 carburo de tungsteno, enchape en cromo,  
 UHMWPE, Aceta, polietileno



ti25096a